

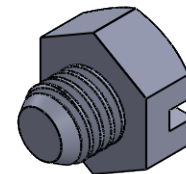
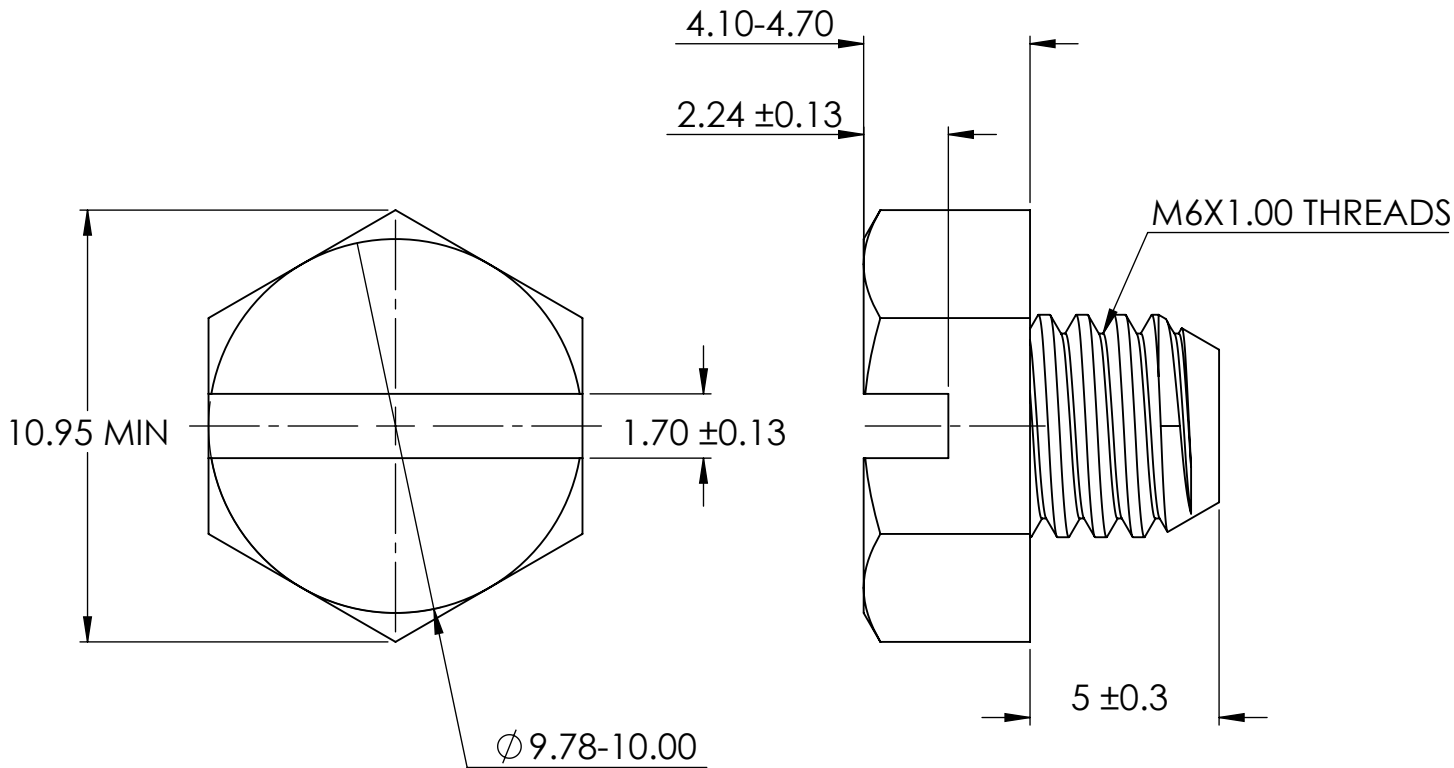
© 2013 Essentra Components. All rights reserved.
 Registered in England, Company No. 547495.
 Registered Office: Essentra plc
 Langford Locks, Kidlington, Oxford, OX5 1HX

Condition of Sale can be found on our website: essentra.com.

Essentra Components does not warrant that the files will be error free and may create new versions ("Upgrades") at any time, which may correct such errors. Essentra Components has no obligation to notify you of such upgrades. Any upgraded file will be published to the website, when it becomes available.

You are not permitted to load any of the files on to a network server for the purposes of distribution to one or more other computer(s) on that network or to effect such distribution. Essentra Components shall not be liable for any loss or damage whatsoever or however caused, arising directly or indirectly from the use of the files.

UNCONTROLLED COPY



2:1

STATUS

APPROVED DRAWING

UNLESS OTHERWISE STATED

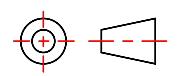
ALL DIMENSIONS IN mm

DO NOT SCALE

LINEAR TOLERANCE

THIRD ANGLE PROJECTION

SIZE	(0)	(0.0)	(0.00)
0-10mm	± 0.5	± 0.15	± 0.10
>10-30	± 0.5	± 0.20	± 0.15
>30-50	± 0.5	± 0.30	± 0.20
>50-100	± 0.8	± 0.50	± 0.25
>100-200	± 1.5	± 0.80	± 0.40
>200-300	± 2.0	± 1.20	± 0.80
>300-500	± 3.0	± 2.00	± 1.00
>500	± 5.0	± 3.00	± 1.50


ANGULAR TOLERANCE ± 0.5 DEGREES
UNSPECIFIED RADII 0.25mm
DRAFT ANGLE 0.5 DEGREES
DIMENSIONS IN BRACKETS [] ARE IN INCHES FOR REFERENCE ONLY

CREATE DATE	27.06.2023	MATERIAL	PA 66
ITEM CODE	10298206	COLOUR	-
LEGACY NUMBER	50M060100K005	FINISH	-

TITLE:
HEX HEAD CAP SCREW NYLON

DWG. No.	10298206	SCALE	SHEET	ISSUE
		5:1	1 of 1	1